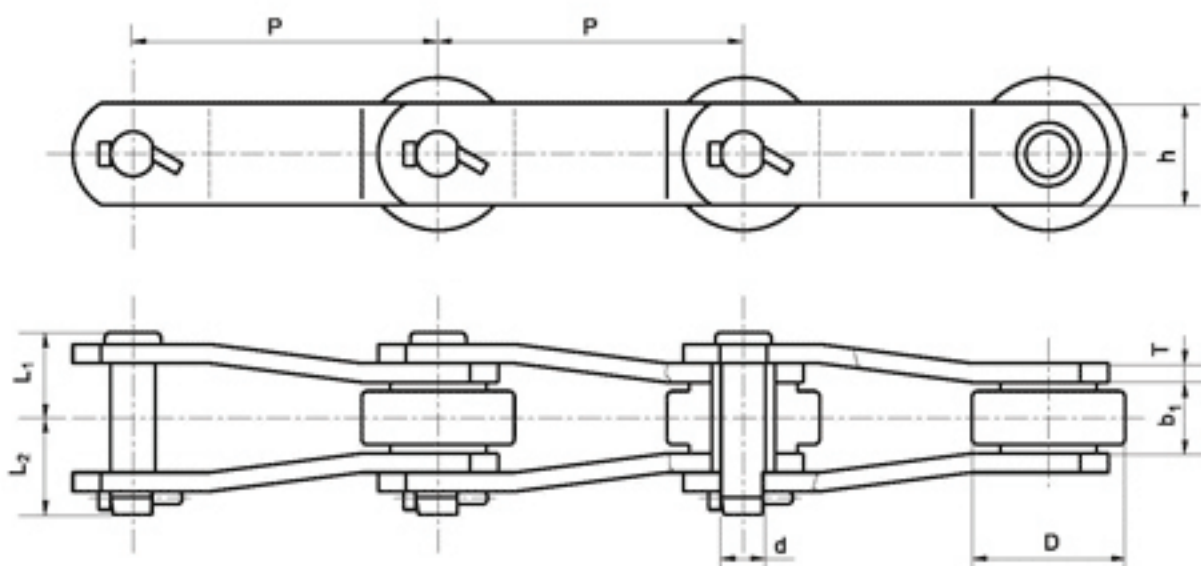


# 弯板型糖机链

## Sugar Mill Chains with Bent Plate



链号 Chain No.	节距 Pitch P	窄端内宽 Inside width at narrow end $b_1$ (min)	滚子(套筒)外径 Roller(Bush) diameter D(max)	销轴 Pin			链板 Plate		最小抗拉 强度 Ultimate tensile strength $Q_{min}$ kN	许用工作 载荷 Rated working load kN	每米净重 Weight per meter q kg/m
				d	$L_1$	$L_2$	h	T			
*#SS100D	100	33.27	33.27	17.27	38.4	48.6	44.5	8	200	17.8	10.47
*HS D2184	152.4	34.9	76.2	22.23	43.9	51.2	50.8	9.5	355.6	31.6	17.7
HS W1796	152.4	37.8	69.85	22.23	44.2	52.9	57.2	9.5	444.5	31.6	18.59
HS 09063	152.4	38	76.2	23.83	47.1	54.9	60.3	10.3	622.3	36.1	21.83
HS 8184	203.2	45.9	88.9	25.4	59.7	65.8	69.9	12.7	742.4	47.8	29.2
HS C2614	304.8	69.85	63.5	31.75	78.5	84.5	88.9	15.9	1000	84.5	33.68

\*链条销轴与套筒有碳钢和不锈钢两种材质。

#链条为套筒链,无滚子。

\*Chains: There are two kinds of materials for pin and bush, which are Carbon steel and stainless steel.

# Chain: Bushed chain with no roller.