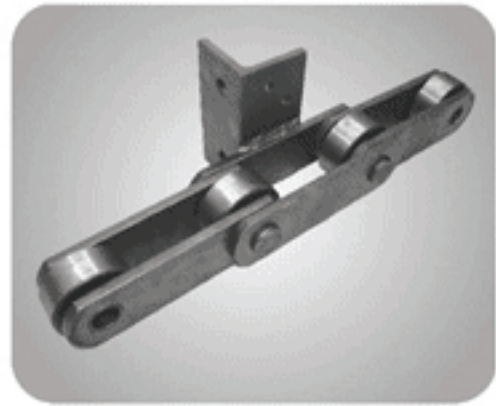
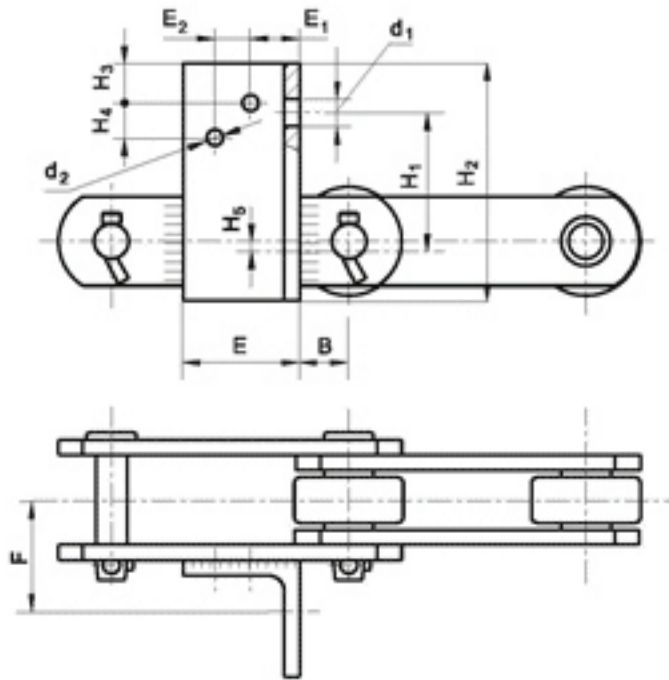


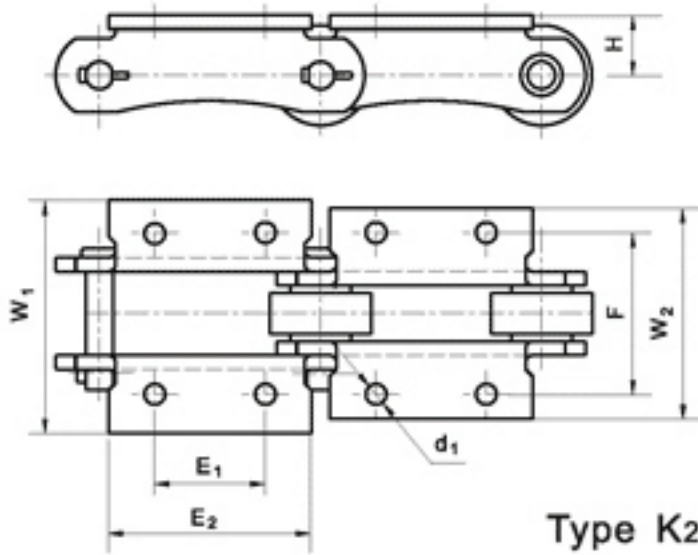
# 糖机链附件

## Sugar Mill Chains - Attachments



Type F

链号	B	F	H <sub>1</sub>	H <sub>2</sub>	H <sub>3</sub>	H <sub>4</sub>	H <sub>5</sub>	E	E <sub>1</sub>	E <sub>2</sub>	d <sub>1</sub>	d <sub>2</sub>
Chain No.	mm	mm	mm	mm	mm	mm	mm	mm	mm	mm	mm	mm
HS C09063	31.4	73.5	88.9	152.4	25.4	22.5	6.35	75	31.8	22.5	17.5	13.1



Type K2

链号	H	E <sub>1</sub>	E <sub>2</sub>	d <sub>1</sub>	F	W <sub>1</sub>	W <sub>2</sub>
Chain No.	mm	mm	mm	mm	mm	mm	mm
HS SS996	41.4	76.2	139.7	14.2	111.1	169.1	149.2