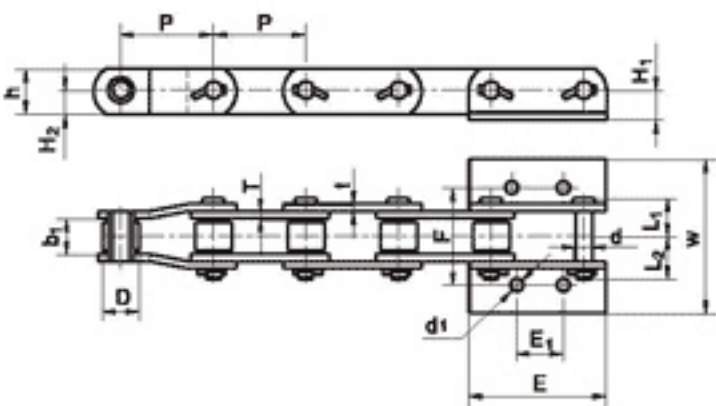


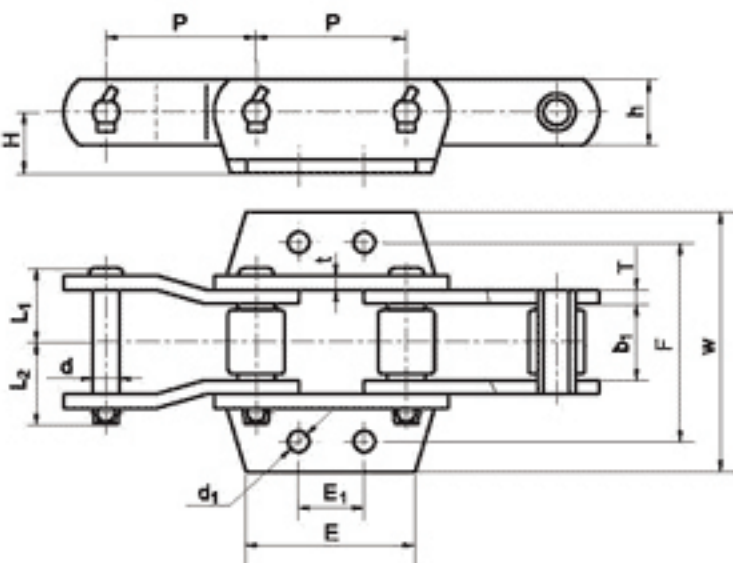
铺路机链

Paver Chains



链号 Chain No.	F mm	W mm	d ₁ mm	E ₁ mm	E mm	H ₁ mm	H ₂ mm
RMC16089	108	171.5	14.3	57.15	152.4	33.34	26.99
HS23310-61	108	146	14.3	57.15	163.5	33.34	23.8
HS23312-73	136.5	175.4	17.5	73	166.5	38.1	28.6
P78.1-BK2	104.8	145.24	14.27	38.1	115.9	28.6	22.25
FCM-11337	104.8	136.5	13.5	38.1	115.9	28.6	20.65

链号 Chain No.	节距 Pitch P mm	内节内宽 Width between sidebars b ₁ (min) mm	滚子 外径 Roller diameter D(max) mm	销轴 Pin			链板 Sidebar		最小抗拉 强度 Ultimate tensile strength Q _{min} kN	许用工作 载荷 Rated working load kN
				d mm	L ₁ mm	L ₂ mm	h mm	t/T mm		
RMC16089	103.2	37.9	41.43	19.05	42.2	47.8	50.8	8	205	18.5
HS23310-61	103.2	38.6	41.28	19.05	42.5	47.8	47.6	8	240	21.6
HS23312-73	103.2	40.98	44.45	22.23	47.5	54.2	57.2	9.5	382.3	38
P78.1-BK2	78.1	38.1	34.93	15.88	41.9	47	44.5	8	275.6	28.2
FCM11337	78.1	37.9	31.75	15.76	41.9	46.2	41.3	8	213.6	23.3



F mm	W mm	d ₁ mm	E ₁ mm	E mm	H mm
134.9	178.3	14.2	44.45	114.3	41.4

链号 Chain No.	节距 Pitch P mm	内节内宽 Width between sidebars b ₁ (min) mm	滚子 外径 Roller diameter D(max) mm	销轴 Pin			链板 Sidebar		最小抗拉 强度 Ultimate tensile strength Q _{min} kN	许用工作 载荷 Rated working load kN
				d mm	L ₁ mm	L ₂ mm	h mm	t/T mm		
RMC15491	101.6	50.4	38.1	19.05	50.9	57.1	44.5	9.5	290	27.6