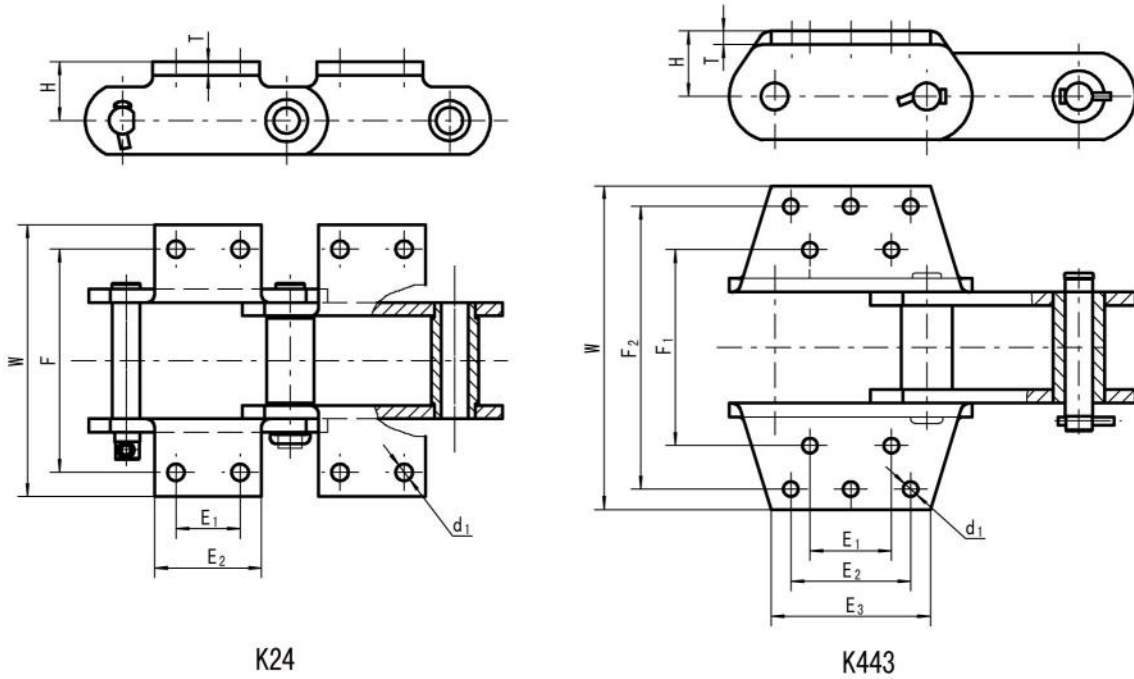


套筒链附件

Attachments of Bushed Chains



K24 附件 K24 Attachment								
链号 Chain No.	E ₁	E ₂	F	W	d ₁	H	T	每米净重 Weight per meter q (kg/m)
HS856	63.5	175.5	184.2	238.3	17.5	47.75	12.7	40.95
HS956	63.5	175.5	184.2	241.3	17.5	47.75	12.7	43.18

K443 附件 K443 Attachment										
链号 Chain No.	E ₁	E ₂	E ₃	F ₁	F ₂	W	d ₁	H	T	每米净重 Weight per meter q (kg/m)
HS864	95.25	139.7	177.8	228.6	330.2	381	17.5	76.2	16	81.9
HS984	95.25	139.7	185.93	228.6	330.2	377.95	17.5	76.2	15.75	86.37