



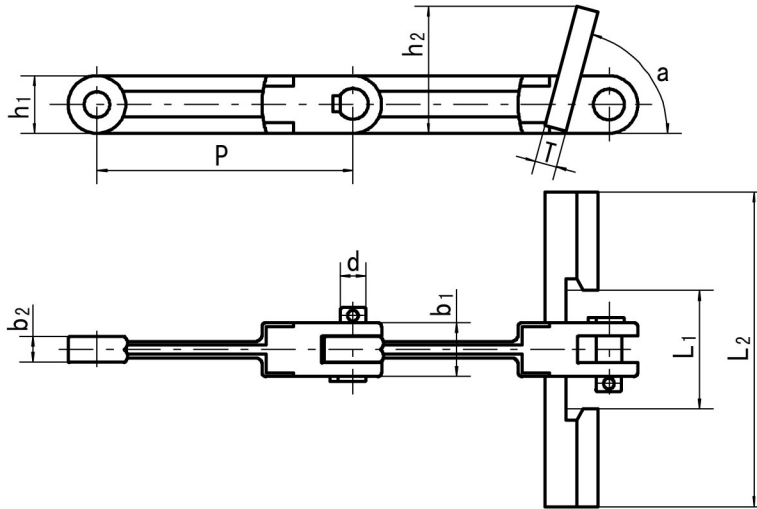
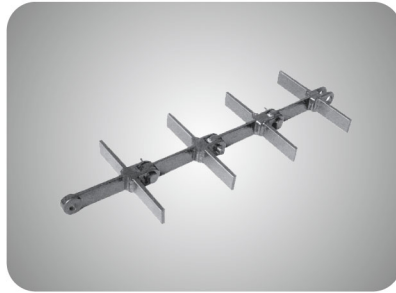
黄山链条

安徽黄山恒久链传动有限公司
ANHUI HUANGSHAN HENGJIU CHAIN TRANSMISSION CO., LTD



模锻刮板链

Forging Scraper Chain



链号 Chain No.	节距 Pitch P mm	销轴 pin d mm	链板高度 Height of sidebar h _i mm	链板厚度 Thickness of sidebar		刮板尺寸 Dimensions of Scraper					最小抗拉强度 Ultimate tensile strength Q _{min} kN
				b ₁ mm	b ₂ mm	L ₁ mm	L ₂ mm	h ₂ mm	a° mm	T mm	
YD750	200	25	50	54	22	103	586	80	90	14	390
YD640	142	20	45	42	20	-	605	45	90	12	300
YD640A	142	23	48	42	18	-	300	48	75	14	230.0
YD640C	142	25	50	54	22	80	590	50	90	14	262.4
YD640D	150	25	50	54	22	90	590	82	90	14	262.4
YD200	200	18	40	38	16	-	177	40	75	8	162.0
YD310	200	20	46	44	20	-	280	46	75	12	162.0