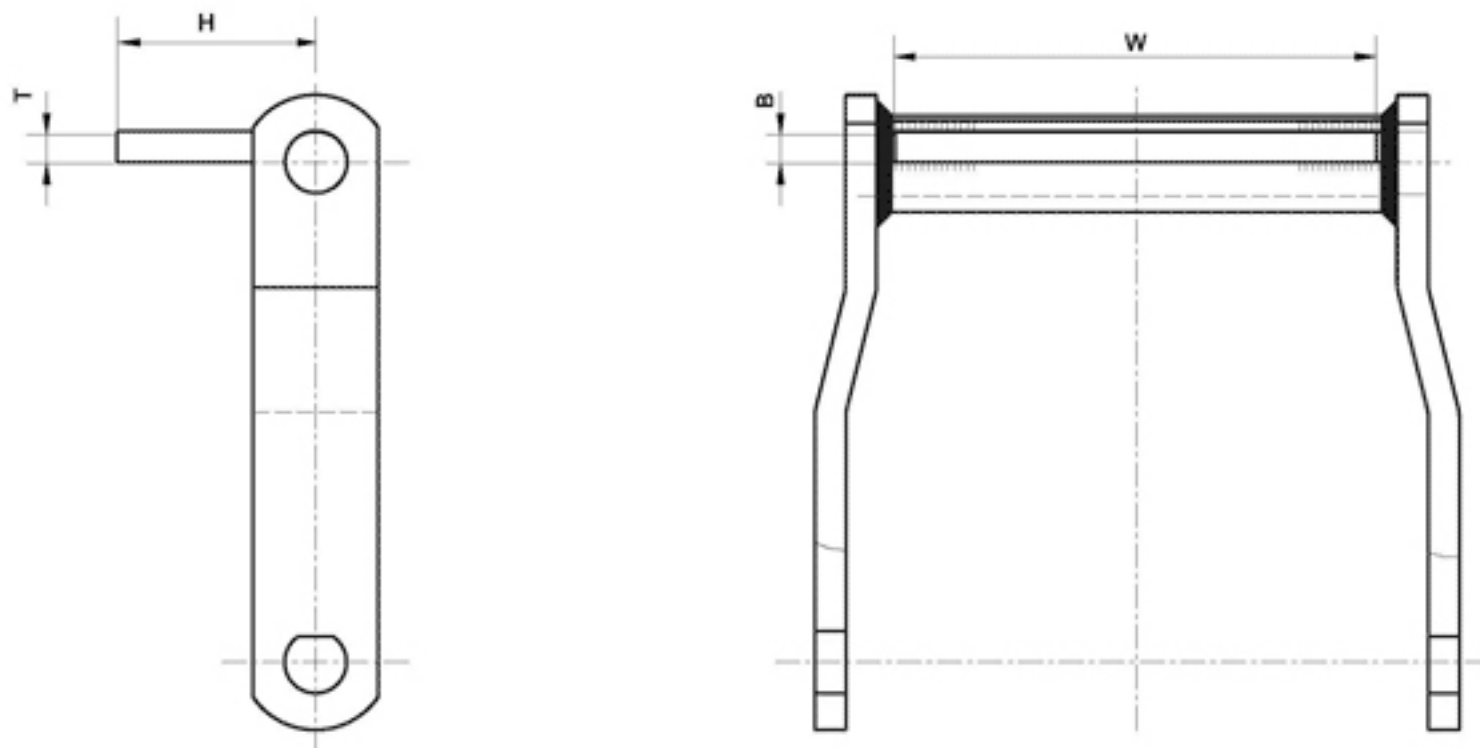


宽系列焊接弯板链附件

Wide Series Welded Steel Chains-Attachments



C1、C3、C4

链号	B	H	T	W
Chain No.	mm	mm	mm	mm
C1				
WDH110	9.5	60.5	9.5	231.9
WDR110	9.5	60.5	9.5	231.9
WDH112	9.5	60.5	9.5	231.9
WDR112	9.5	60.5	9.5	231.9
C3				
WDH120	12.7	76.2	12.7	219.2
WDR120	12.7	76.2	12.7	219.2
WDH480	12.7	76.2	12.7	282.7
WDR480	12.7	76.2	12.7	282.7
C4				
WDH110	9.5	95.25	9.5	231.9
WDR110	9.5	95.25	9.5	231.9
WDH112	9.5	95.25	9.5	231.9
WDR112	9.5	95.25	9.5	231.9
WDH480	12.7	127	12.7	282.7
WDR480	12.7	127	12.7	282.7