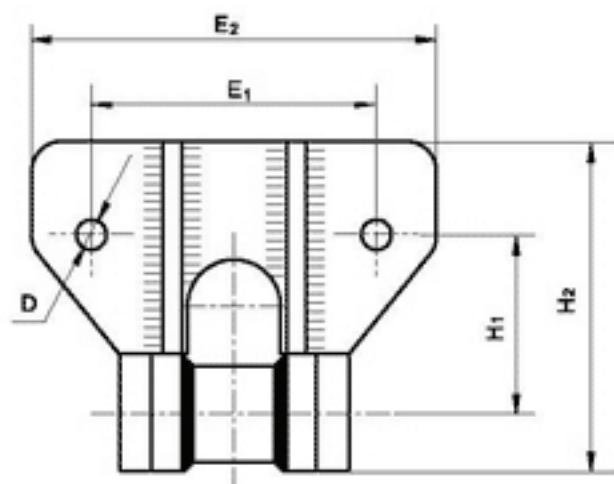
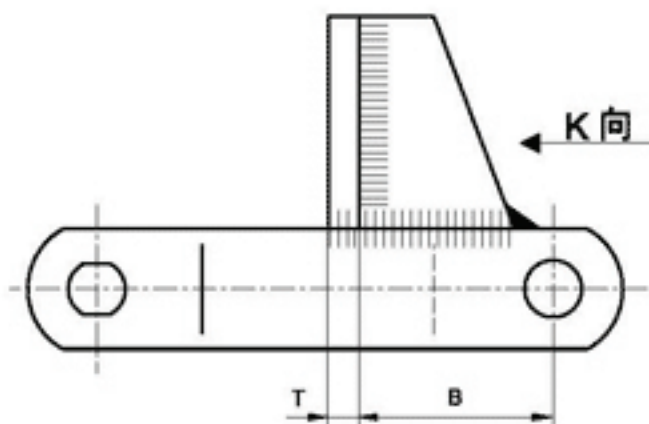


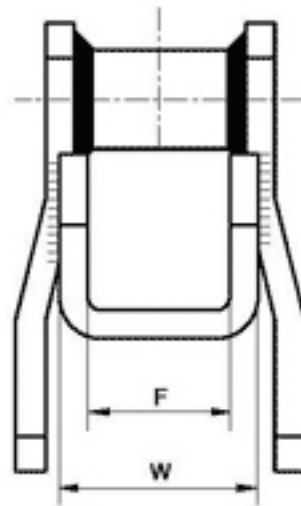
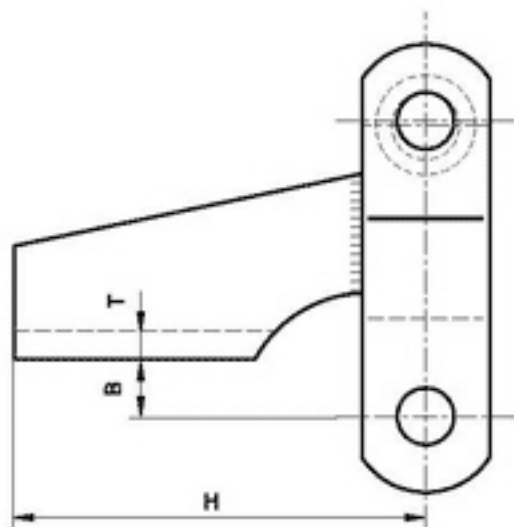
# 窄系列焊接弯板链附件

## Narrow Series Welded Steel Chains-Attachments



K向

链号	H <sub>1</sub>	H <sub>2</sub>	E <sub>1</sub>	E <sub>2</sub>	D	B	T
Chain No.	mm	mm	mm	mm	mm	mm	mm
F226							
WH720S	60	110	95	135	10	66	10



链号	B	F	H	T	W
Chain No.	mm	mm	mm	mm	mm
H <sub>1</sub>					
WH78	12.7	31.7	92.2	6.4	44.5
WH82	16	38	92.2	6.4	50.8