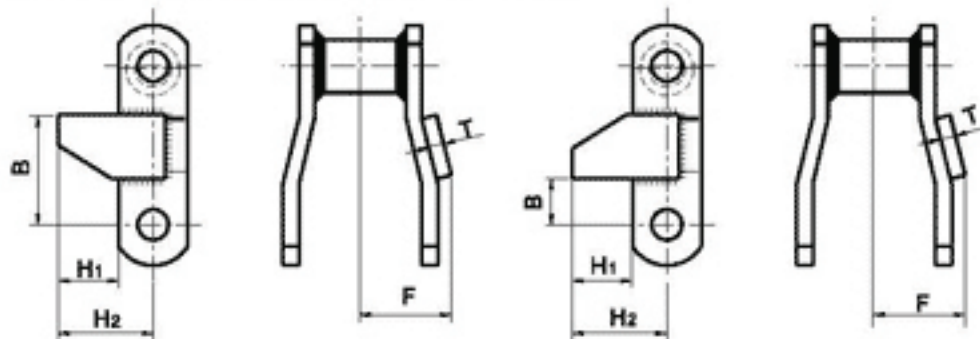


# 窄系列焊接弯板链附件

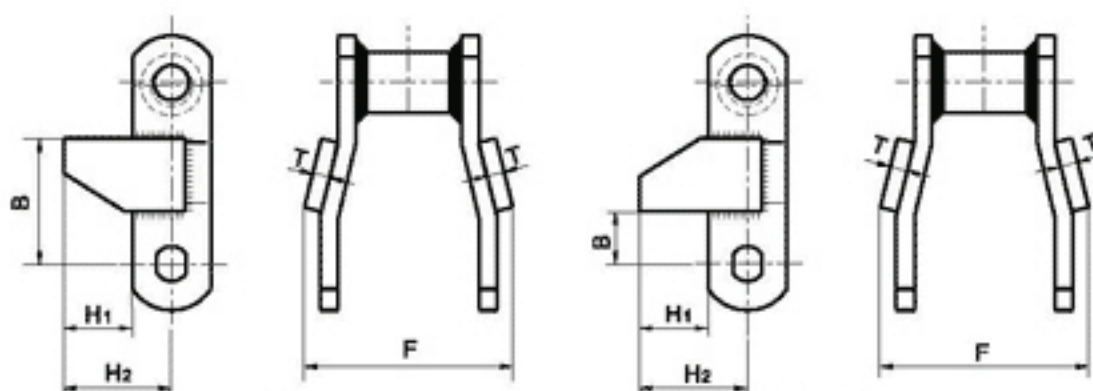
## Narrow Series Welded Steel Chains-Attachments



R1

R2

链号 Chain No.	B mm	F mm	H <sub>1</sub> mm	H <sub>2</sub> mm	T mm
R1					
WH78	47.75	38.1	25.4	39.7	6.4
WH82	55.4	41.4	31.85	47.75	6.4
WHX124	69.1	54.9	28.7	47.75	9.5
R2					
WH78	17.5	38.1	25.4	39.7	6.4
WH82	22.4	41.4	31.85	47.75	6.4
WHX124	31.75	54.9	28.7	47.75	9.5



RR

RR2

链号 Chain No.	B mm	F mm	H <sub>1</sub> mm	H <sub>2</sub> mm	T mm
RR					
WH78	47.75	76.2	25.4	39.7	6.4
WH82	55.4	82.8	31.85	47.75	6.4
WHX124	69.1	109.8	28.7	47.75	9.5
RR2					
WH78	17.5	76.2	25.4	39.7	6.4
WH82	22.4	82.8	31.85	47.75	6.4
WHX124	31.75	109.8	28.7	47.75	9.5