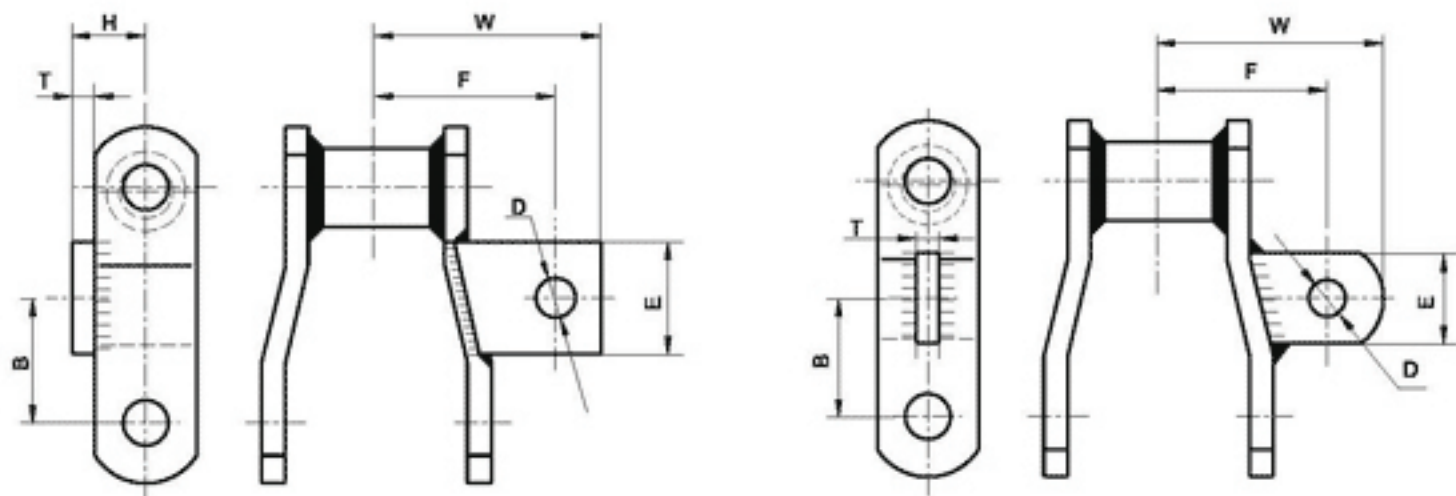
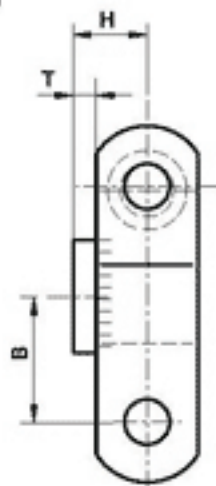


窄系列焊接弯板链附件

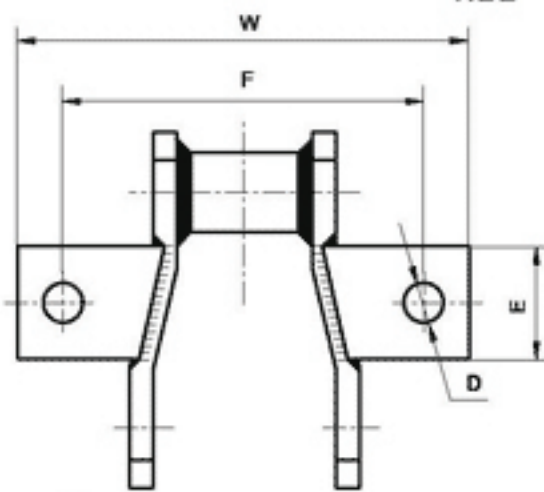
Narrow Series Welded Steel Chains-Attachments



A1



A22



K1

链号	B	D	E	F	H	W	T
Chain No.	mm	mm	mm	mm	mm	mm	mm
A1							
WH78	31.75	10.4	31.75	50.8	20.7	63.5	6.4
WH82	38.1	10.4	44.45	53.1	22.3	69.85	6.4
A22							
WH78	33.3	10.4	25.4	47.8	/	63.5	9.5
K1							
WH78	31.75	10.4	31.75	101.6	20.7	127	6.4
WH82	38.1	10.4	44.45	106.2	22.3	139.7	6.4