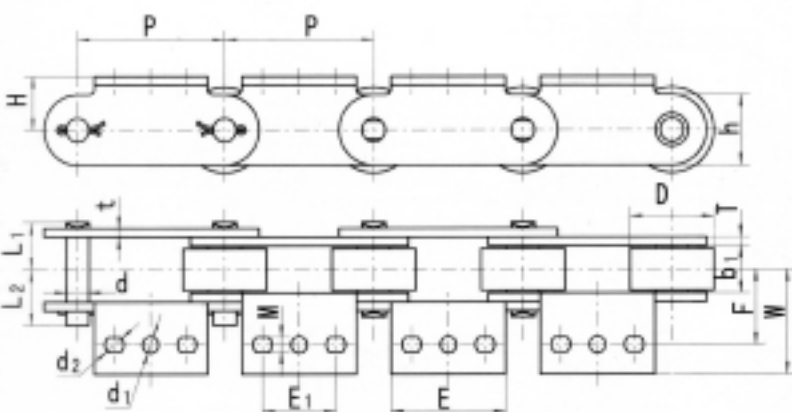


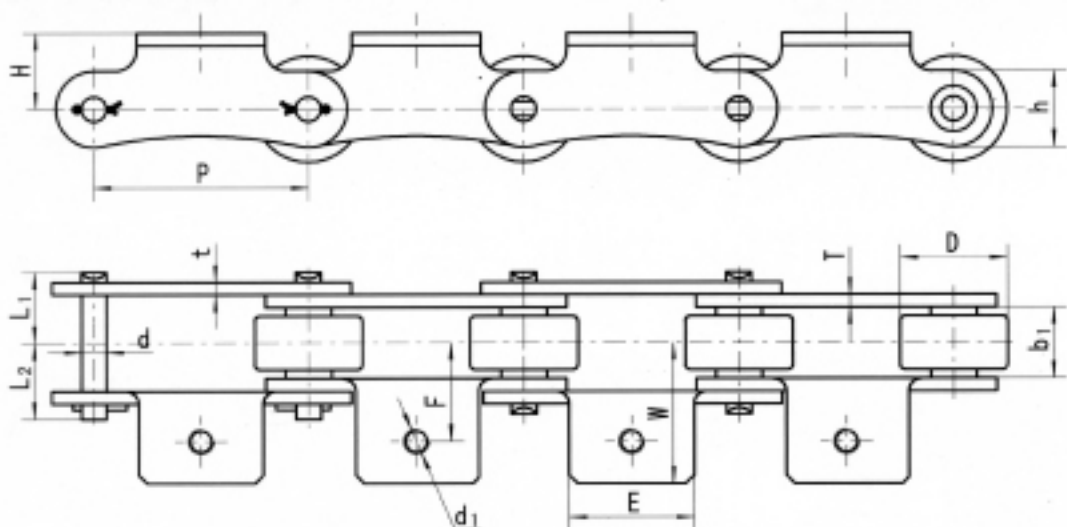
冷饮食品链

Cold Drink & Food Processing Chains



H	E ₁	E	F	W	d ₁	d ₂	M
mm	mm	mm	mm	mm	mm	mm	mm
18	25	39	25.5	35.5	5.5	6.5	5

链号 Chain No.	节距 Pitch P mm	内节内宽 Width between inner plates b ₁ (min) mm	滚子外径 Roller diameter D(max) mm	销 轴 Pin			链 板 Plate		最小抗 拉强度 Ultimate tensile strength Q(min) kN
				d mm	L ₁ mm	L ₂ mm	h mm	t/T mm	
C216AL-SK3	50.8	15.75	28.58	7.92	16.35	18.85	23.6	3	40



F	W	H	d ₁
mm	mm	mm	mm
30	45	18	M6

链号 Chain No.	节距 Pitch P mm	内节内宽 Width between inner plates b ₁ (min) mm	滚子外径 Roller diameter D(max) mm	销 轴 Pin			链 板 Plate		最小抗 拉强度 Ultimate tensile strength Q(min) kN
				d mm	L ₁ mm	L ₂ mm	h mm	t/T mm	
CP50-N ₁	50	17	25	5.9	16.5	19.5	18	3	28.8