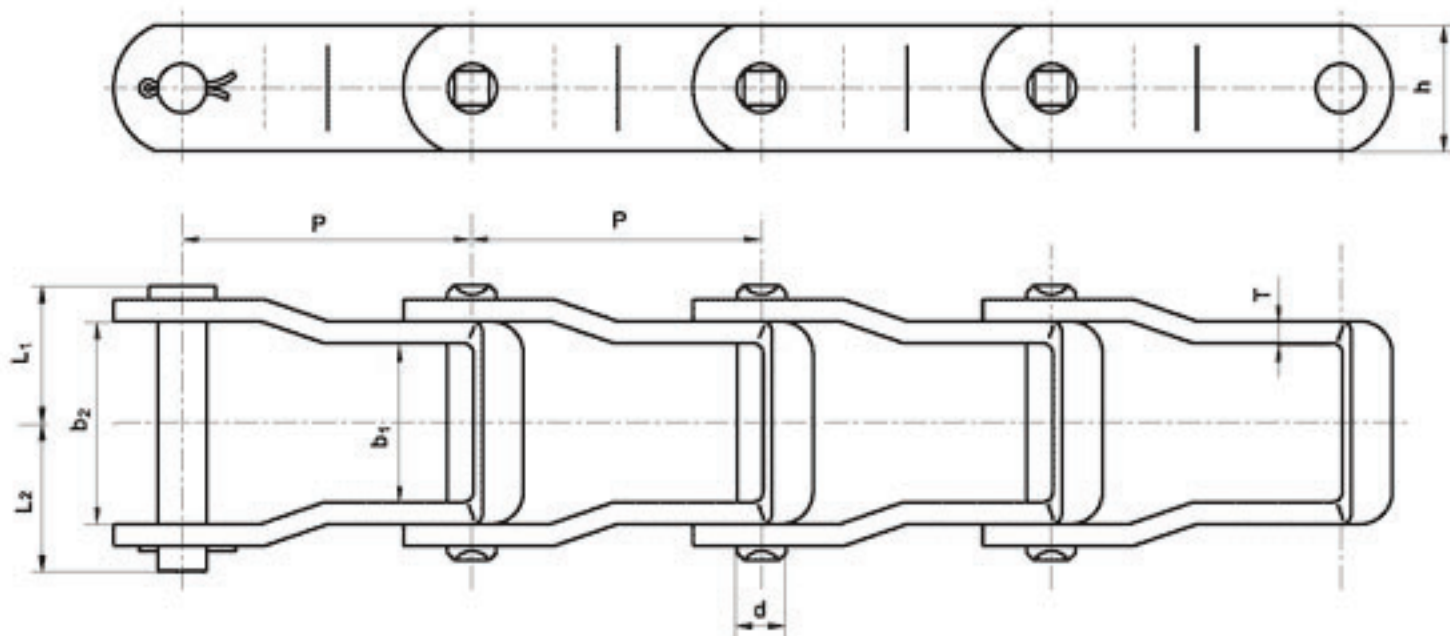


钢制销合链

Steel Pintle Chains



链号 Chain No.	节距 Pitch P mm	窄端内宽 Inside width at narrow end b ₁ mm	宽端内宽 Inside width at wide end b ₂ mm	销轴 Pin			链板 Plate		最小抗拉 强度 Ultimate tensile strength Q _{min} kN	平均拉 伸强度 Average tensile strength Q ₀ kN	每米净重 Weight per meter q kg/m
				d	L ₁	L ₂	h	T			
				mm	mm	mm	mm	mm			
D205	31.75	9.53	14.5	5.08	10.7	13.5	11.9	2.1	18	21.8	0.61
662	42.27	23.2	30.5	7.16	20.75	22.95	18.3	3.2	42.5	49.8	1.66
662H	42.27	23.2	31.3	7.16	21.45	23.85	20.4	3.6	48.9	52	2.04
667X	57.15	27	36.5	11.1	25	29.3	23.8	4.3	88.9	96.5	2.91
667XH	57.15	27.8	40.6	11.91	29.05	32.25	26.8	5.7	124.5	138	4.31
D667K	57.15	27.8	39.2	11.1	27.75	30.85	26.8	5.1	106.8	123	3.80
667H	58.75	25.6	32.9	7.92	21.85	24.25	22.23	3.2	52.1	57.4	1.85
667J	57.15	27	36.5	9.52	25	29.3	23.8	4.3	86.5	95	2.80
88K	66.27	27.8	39.2	11.1	27.75	30.85	26.8	5.1	106.8	123	3.60
D88C	66.27	31.75	45.75	12.7	32.65	35.65	28.58	6.4	152	169	5.25