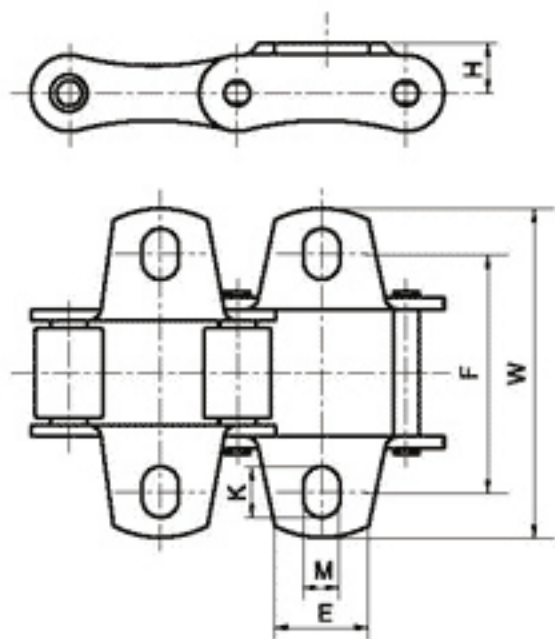
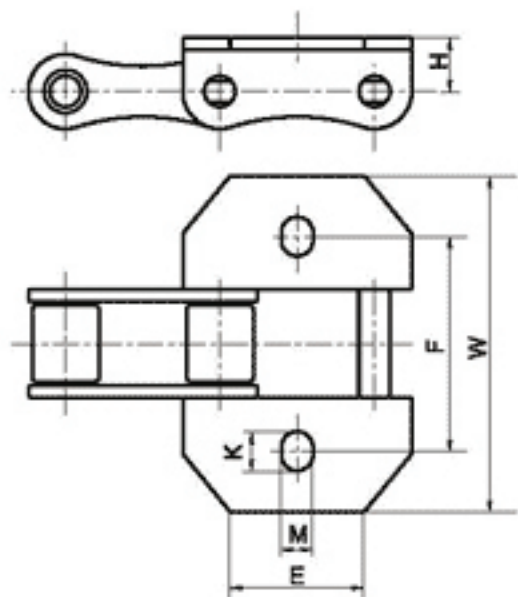


S系列农用滚子链附件

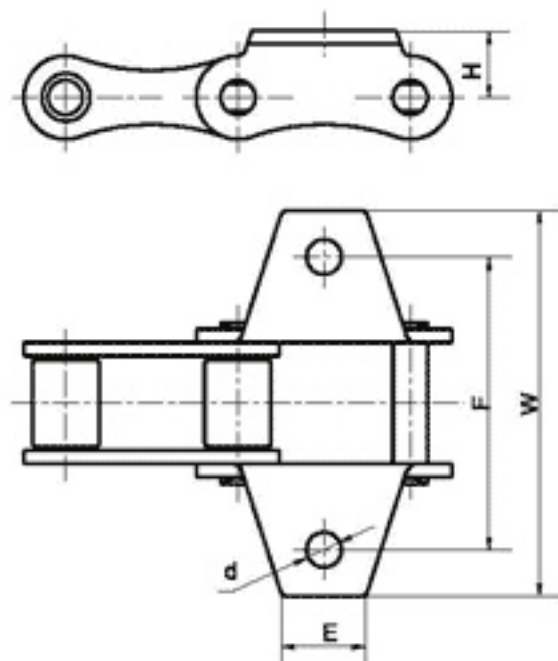
S Series Agricultural Roller Chains-Attachments



Type	链号 Chain No.	F mm	M mm	K mm	W mm	E mm	H mm
BK ₁	S32	42.9	6.5	8.1	60	15	8.6
	S42	54	8.3	12.5	74	18.5	14.0
	S45	54	8.3	11.5	74	21.3	11.4
	S51	51.8	8.5	10	70.2	21	11.4
	S52	58.8	8.5	10	77.2	21	11.4
	S55	54	8.3	11.5	74	21.3	11.4
	S55R	66	8.4	12	92	24.3	16
	S62	66.6	8.5	14.8	95	21.5	11.4
	S77	76.2	8.5	11.5	101	25.4	20.8
S88	96.8	8.5	10	119	32	20.8	



Type	链号 Chain No.	F mm	M mm	K mm	W mm	E mm	H mm
220B	S55V	57.5	8.5	10.5	90	36	14.5
220D		55	8.5	10.5	90	36	14.5



Type	链号 Chain No.	F mm	d mm	W mm	E mm	H mm
BK ₁ · C ₁	S413	70.5	8.4	93	20	16